



Specifications

Performance	DocuPrint 205	DocuPrint 255	DocuPrint 305
Print Speed (A4)	20 pages per minute	25 pages per minute	30 pages per minute
Duplex†		Full speed	
Warm Up Time		18 seconds or less	
First Page Out Time		5.6 seconds	
Print Resolution	1200 x 1200dpi/ 600 x 600dpi/ 2400dpi (9600 x 600dpi) or equivalent by the IE function		
Processor	PowerPC 603e-266MHz		
Memory (Std/ Max)	64MB/ 320MB		
Hard Disk†	20GB		
Monthly Duty Cycle (pages)	50,000		100,000
Media Handling			
Media Size	Tray 1	A3, A4, A5, B4, B5, Letter, Legal (8.5 x 14"), Envelope, Long-size (900mm max) Custom (76.2 to 304.8mm x 98.4 to 432mm)	
	Tray 2	A3, A4, A5, B4, B5, Letter, Legal (8.5 x 14"), Envelope, Custom (76.2 to 297mm x 98.4 to 431.8mm)	
	Duplex Print†	A3, A4, A5, B4, B5, Letter, Legal (8.5 x 14") Custom (100 to 304.8mm x 139.7 to 431.8mm)	
Media Type	Tray	Plain/recycled (60 to 90gsm)/ Thick (90 to 216gsm), exclusive OHP transparency, Envelope and exclusive label paper, Postcard (190g/m ²)	
	Duplex Print†	Plain/recycled (60 to 90 gsm)/Thick (190 gsm)	
Media Input Capacity	Tray 1	150 sheets	
	Tray 2	250 sheets	550 sheets
	Maximum	1500 sheets	1800 sheets
Media Output Capacity	Standard	250 sheets (face down)	500 sheets (face down)
	Face-up Tray†	-	70 sheets
	Offset Catch Tray†	-	500 sheets
Network/ Software			
Fonts	PCL: 81 Agfa fonts + OCR-B, PS: 136 Adobe fonts†		
PDL	PCL 6, PCL 5e, PS 3†, HPGL2 Emulation		
Support Operating System	Windows 95, 98, Me, NT 4.0, 2000, XP, Windows Server 2003, Mac OS (7.61 and above)†		
Connectivity	RS232C, IEEE1284, USB, Ethernet 100Base TX/ 10Base T		
Protocol	Ipd, NetWare, SMB, Port9100, IPP, EtherTalk†		
Operating			
Power Supply	220~240V, 50/ 60Hz; 110V, 50/ 60Hz		
Average Power Consumption	600W	650W	
Dimension/ Weight	505(W) x 376(D) x 324(H) mm/ 20kg	505W x 376D x 390H mm/ 22kg	

Consumables	
Print Cartridge (up to 10,000 pages)	CT350251
Options†	
Duplex Module	EL300304
Postscript Kit	E3300060
A3 Universal 250-sheet Feeder	EL300305
A3 Universal 550-sheet Feeder	EL300306
Face-up Tray	E3300057
Offset Catch Tray	E3300058
Multi Bypass Tray	E3300059
Hard Disk	E3300052
128 MB Memory	E3300053
256 MB Memory	E3300061

† Optional

Xerox printers. Xpect more.

For more information, please contact:

The
new generation
of A3 **network**
printers



Xerox, The Document Company, the stylised X and DocuPrint are trademarks of Xerox Corporation. All other names mentioned in this brochure are trademarks of their respective companies. Whilst this information is correct at the time of printing, Fuji Xerox Co., Ltd reserves the right to change the specifications of the equipment described herein without notice.



Now you can get your work done faster, easier and with high image quality up to A3 size to give your documents the professional look. On top of that, you'll also enjoy many thoughtful features, greater value and networking capabilities in a compact and sleek design.

DocuPrint 205/255/305

Speed, image quality, versatility and value all in a compact printer.

Excellent Performance

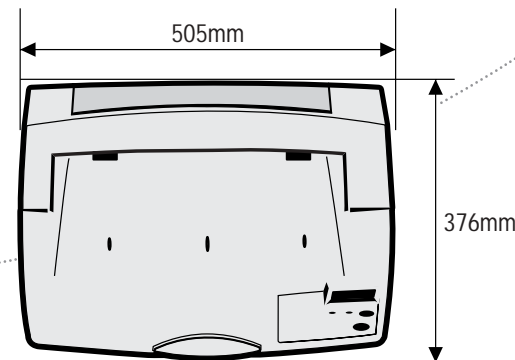
Fast and reliable, you can now enjoy higher productivity and efficiency with outstanding image quality every time, all the time.

- True 1200 x 1200dpi resolution at rated speed.
- High performance controller with the 266MHz RISC PowerPC 603 processor that excels at handling multiple print jobs.
- Greatly reduced warm-up time is made possible with the Fuji Xerox unique Quick Fuser Technology.
- Extremely high capacity printing is possible with a monthly duty cycle of up to 100,000 prints.

Increased Convenience

Enjoy all the benefits of a top-performance printer, including added features that will make performing beyond expectations a breeze.

- Compact design of this business-use printer allows it to be installed in the same space as an A4-accommodated printer while supporting A3 printouts.
- Uninterrupted printing in large workgroups is possible with its ability to continuously feed up to 1800 sheets of paper (1500 sheets for DP 205).
- A host of paper sizes and thicknesses that can be loaded in the universal trays.



All-round Affordability

With guaranteed superior performance and higher productivity come substantial savings with lower cost all-round.

- Toner consumption is reduced by 30% with the Toner Save Mode.
- Lowest power consumption in its class in sleep mode and conforms to the International Energy Star Programme. The warm-up time from power-on or sleep mode is also shortened so you save energy and reduce time-cost simultaneously.
- Low running cost is also made possible with the high capacity toner allowing up to 10,000 pages.

Easy Network Management and Support

Designed for today's intelligent office, the DocuPrint 205/255/305 is engineered with a wide compatibility and easy setup for almost any network.

- Compatible with various office environments like TCP/IP, NetWare (IPX/SPX), NetBEUI, EtherTalk (PostScript environment) and other protocols.
- Installation and set-up is easy with PCL Driver Utility.
- Operability on a network is enhanced with CenterWare Internet Services.



DocuPrint 205/255/305
Laser Printer

Range of Enriched Features

The DocuPrint 205/255/305 comes with a host of useful features that give you more versatility and advantage than you would expect.

- Duplex Print Module allows booklet printing by automatically arranging pages in sequence.
- Electronic Sort allows data to be read into memory so that subsequent copies can be read directly, printed and collated speedily.
- Security Print function protects documents from undesired scrutiny by storing data on the hard disk until unlocked with a password.
- IP Address Restriction ensures output control and may be set individually or for a group.
- Mail Notification Service alerts you to situations like toner or paper shortage and sends the message to a set recipient.

